

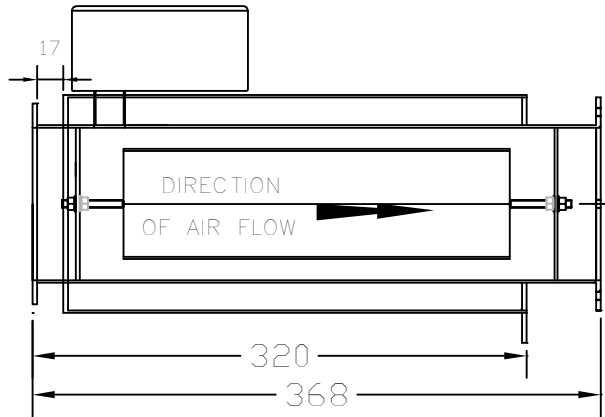
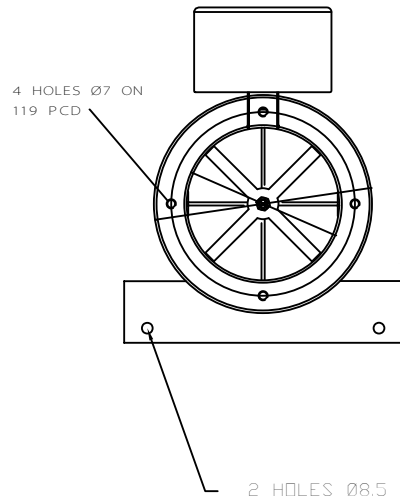
STANDARD TOLERANCES APPLY

REMOVE ALL SHARP EDGES

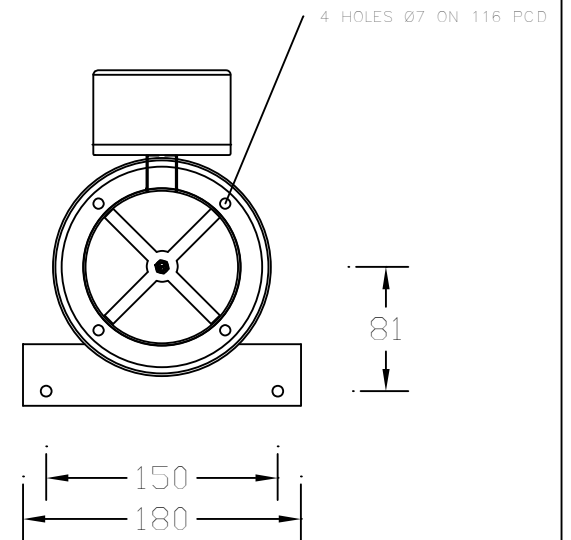
ALL DIMENSIONS IN M.M.

IF IN DOUBT ASK

AIR OUTLET



AIR INLET



AIRTEC

PROJECT  
HEATER  
TUBES

DETAIL  
TYPE H TB750  
GA

COPYRIGHT  
THIS DESIGN REMAINS THE PROPERTY  
OF AIRTEC AIR SYSTEMS LTD  
AND MUST NOT BE COPIED, LOANED  
OR REPRODUCED WITHOUT  
WRITTEN PERMISSION

DRAWN  
SCALE

DATE  
MACHINE  
WELD

ISSUE	A								
DATE									
DRG NO.	ATHT-H 01 TB750								