

RT-0400



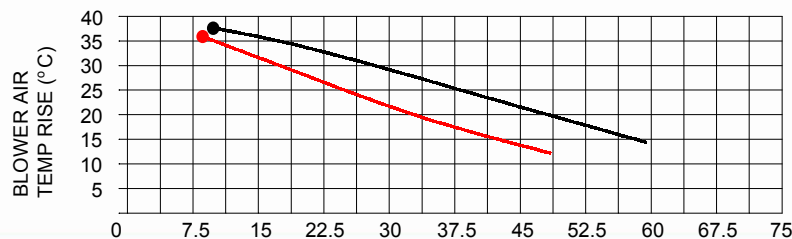
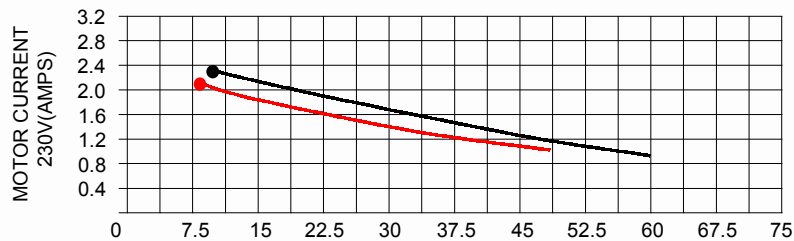
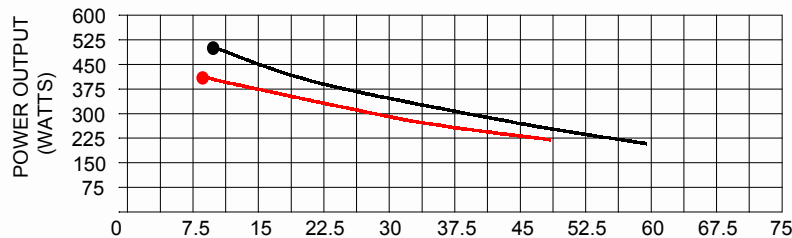
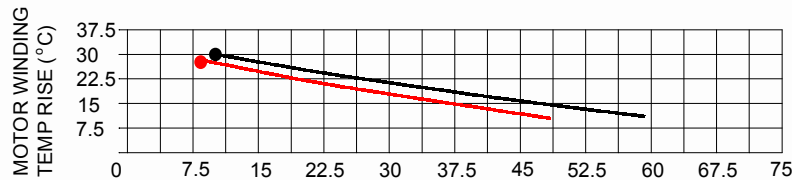
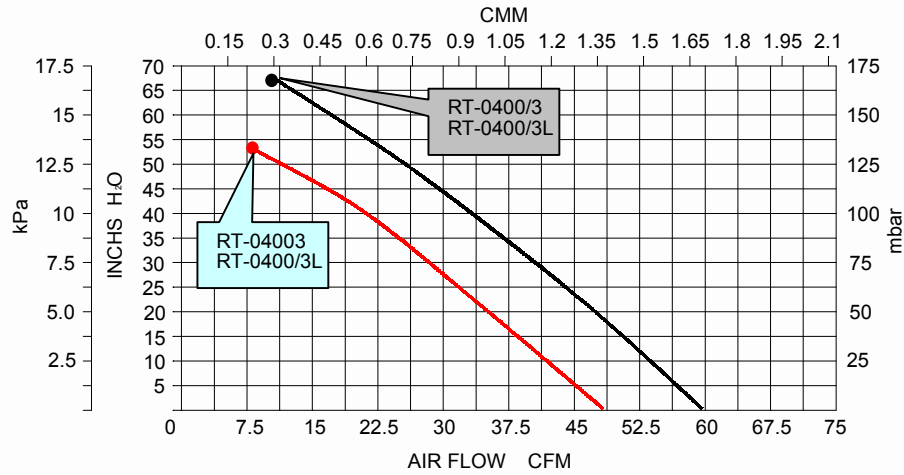
Type	Number	RT-0400/3	RT-0400/1	RT-0400/3L	RT-0400/1L
Phase		3	1	3	1
Output	50Hz	0.4	0.4	0.4	0.4
	Kw	0.5	0.5	0.5	0.5
Voltage	50Hz	208-255/360-440	110-120/220-240	208-255/360-440	110-120/220-240
	V	220-265/380-460	110-120/220-240	220-265/380-460	110-120/220-240
Current	50Hz	2.1/1.2	5.6/2.8	2.1/1.2	5.6/2.8
	Amp	2.3/1.3	5.8/2.9	2.3/1.3	5.8/2.9
Vacuum	50Hz	110	110	110	110
	mbar	140	140	140	140
Pressure	50Hz	130	130	130	130
	mbar	170	170	170	170
Air Flow	50Hz	1.4	1.4	1.4	1.4
	m ³ /min	1.7	1.7	1.7	1.7
Insulation Class		F	F	F	F
L1		80[3.15]	80[3.15]	103[4.06]	103[4.06]
L2		239[9.42]	239[9.42]	262[10.32]	262[10.32]

RT-0400/3 series (Blowing Curve)

50Hz —————

60Hz —————

The technical data is based on 1 bar (abs.) free atmosphere and 20° C with Inlet air density 1.2kg/m³, includes 10% variance.

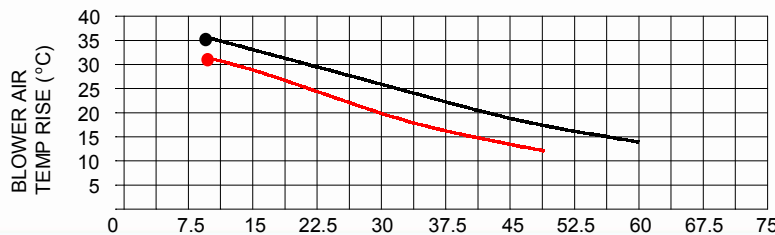
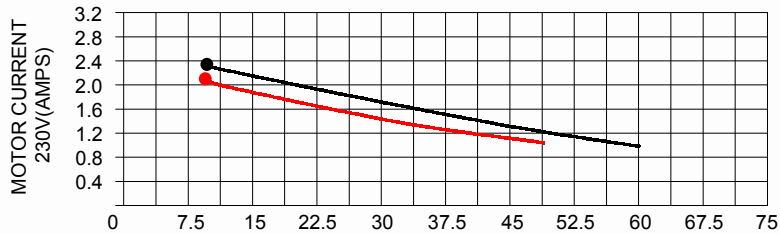
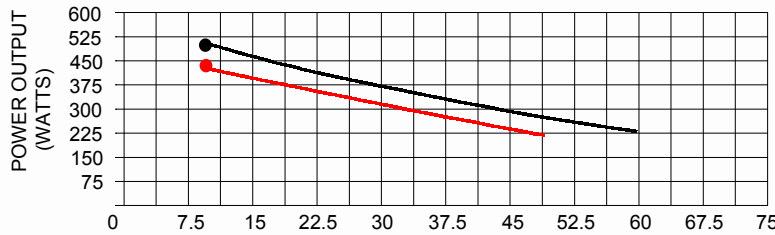
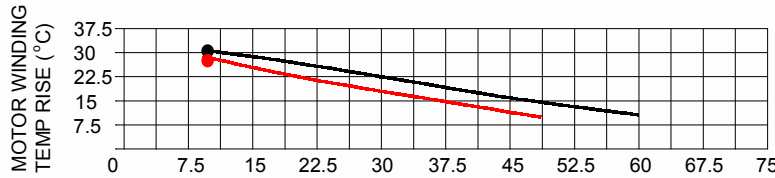
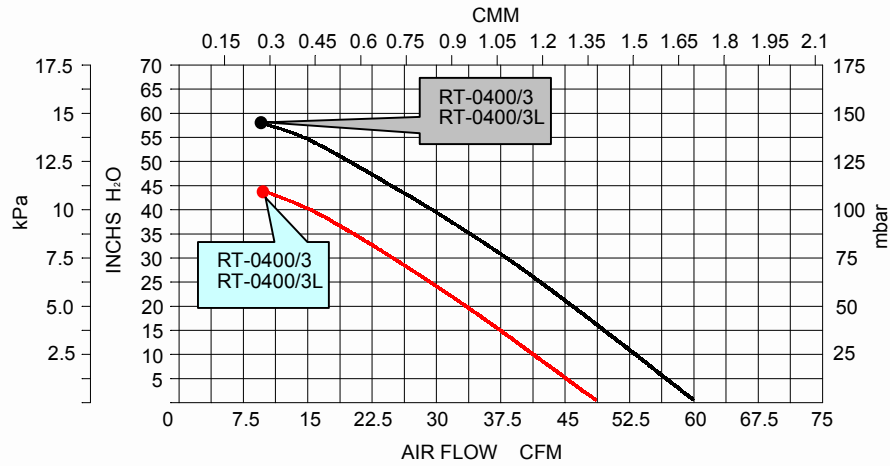


RT-0400/3 series (Suction Curve)

50Hz —————

60Hz —————

The technical data is based on 1 bar (abs.) free atmosphere and 20° C with Inlet air density 1.2kg/m³, includes 10% variance.

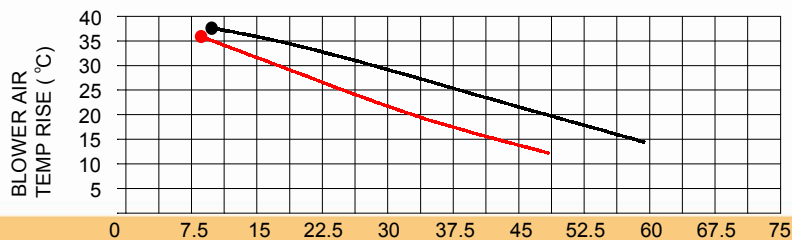
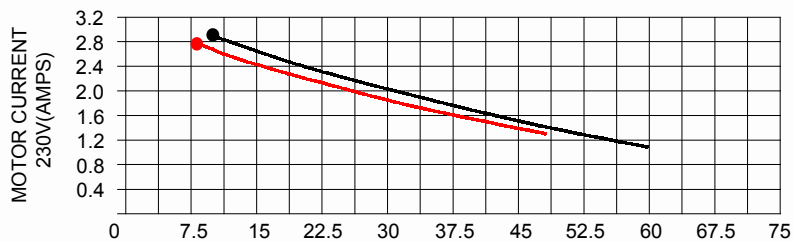
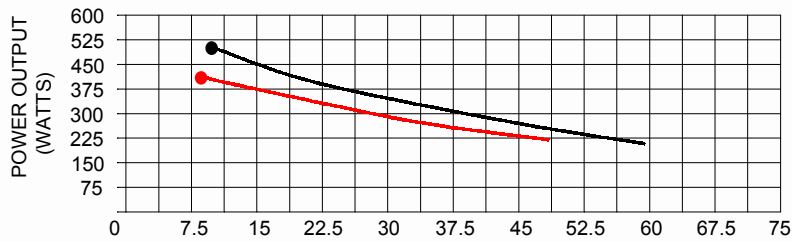
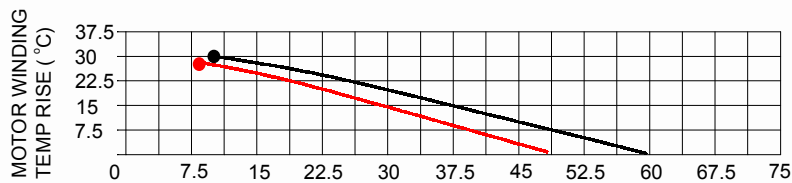
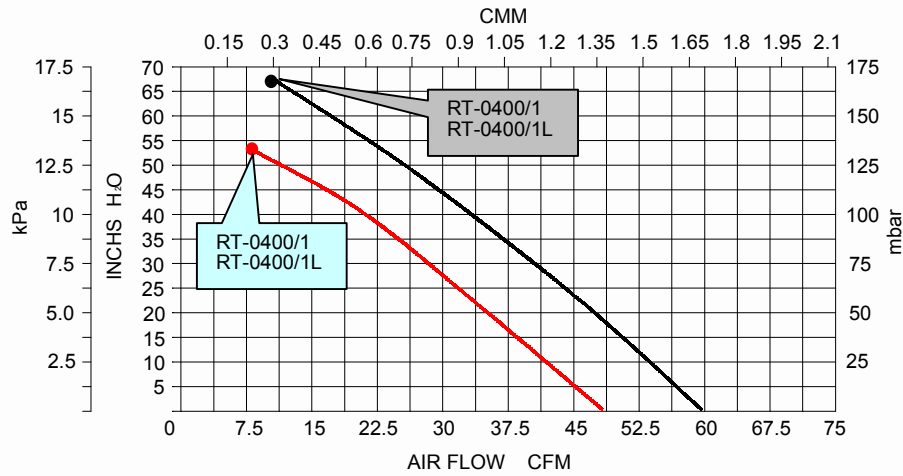


RT-0400/1 series (Blowing Curve)

50Hz —————

60Hz —————

The technical data is based on 1 bar (abs.) free atmosphere and 20° Cwith Inlet air density 1.2kg/m³,includes 10%variance.

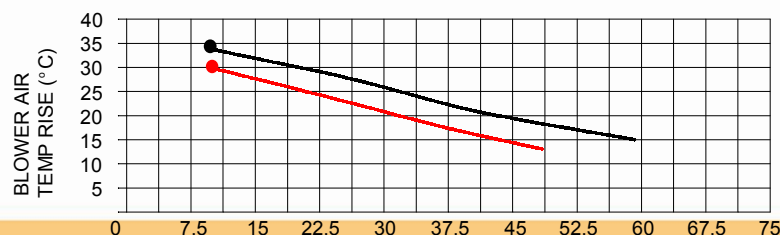
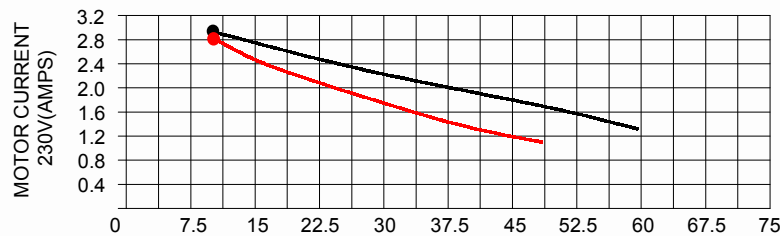
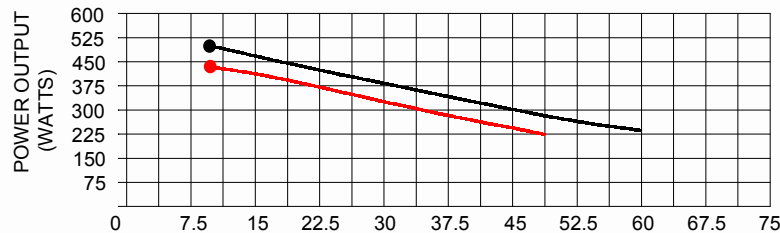
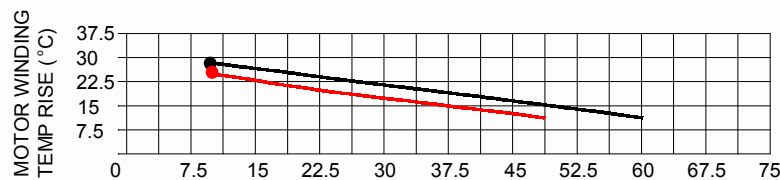
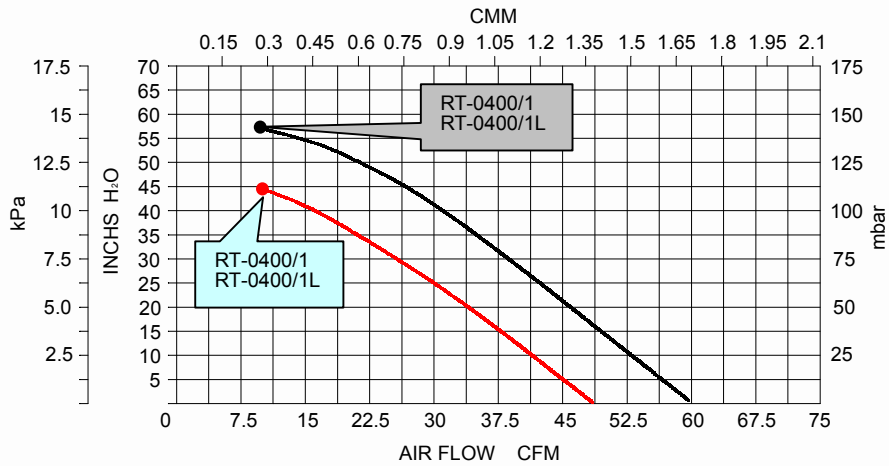


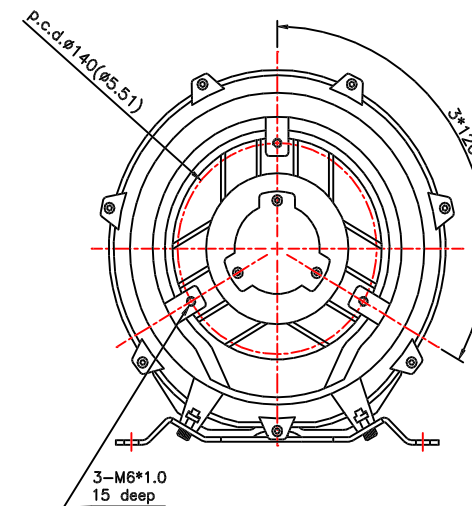
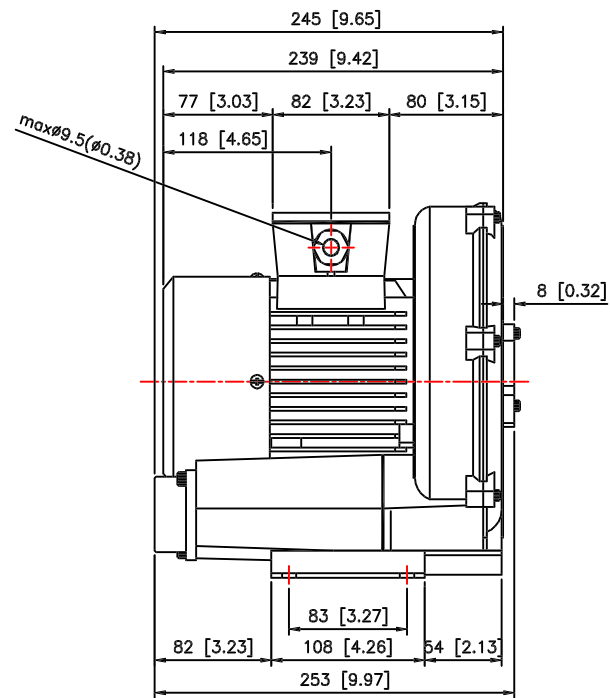
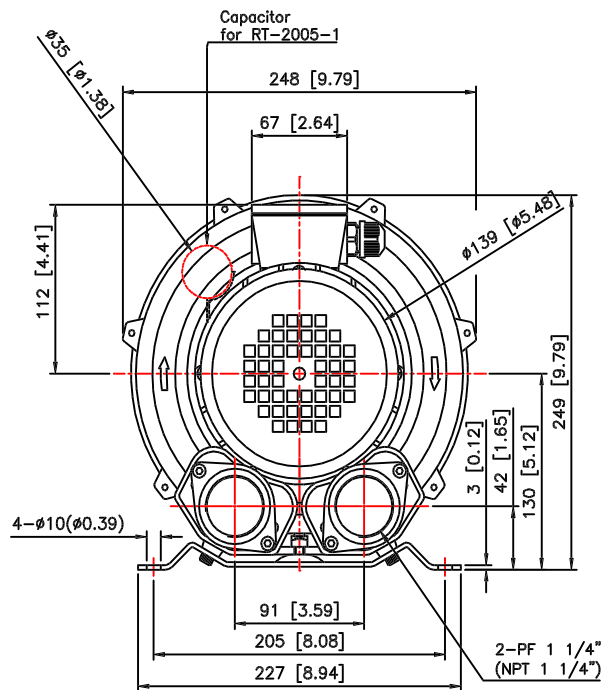
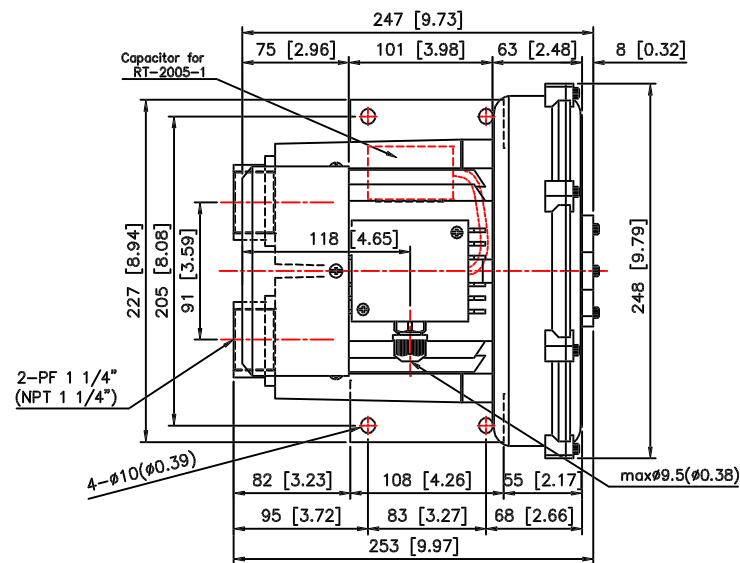
RT-0400/1 series (Suction Curve)

50Hz —————

60Hz —————

The technical data is based on 1 bar (abs.) free atmosphere and 20° C with Inlet air density 1.2kg/m³, includes 10% variance.





Drawing name : RT-0400

Airtec Air Systems Ltd

Valley House, Lees Road, Mossley, OL5 0PG, UK

Tel: 01457 832724, Fax: 01457 832924

info@airtecairsystems.ltd.uk

