

# airtec side channel

Side Channel blowers are the **FIRST CHOICE** in many automation projects for applications requiring large volumes of clean, dry air at low pressures and vacuums. Advances in side channel technology mean that current units can now offer higher vacuum/ pressure than older designs and also provide both duties simultaneously.

Both single and multi-stage blowers are available with pressures or vacuum up to 500mbar and flow rates up to 1250 m<sup>3</sup> per hour. Side channel blowers have the added benefits of low noise operation and compact, virtually maintenance free design.



## SIDE CHANNEL BLOWERS

Fluidising, airknife applications, vacuum holding, aeration, process drying

Single and multi-stage blowers  
Pressure or vacuum up to 500Mbar  
Flow rates up to 1250 M<sup>3</sup> per hour  
Compact and maintenance free  
Extremely quiet in operation

A range of accessories is available to compliment the airtec blower. These include, inlet air filters to a range of flow rates and filtration specifications, pressure/vacuum relief valves, swept bends, 'T' pieces etc.

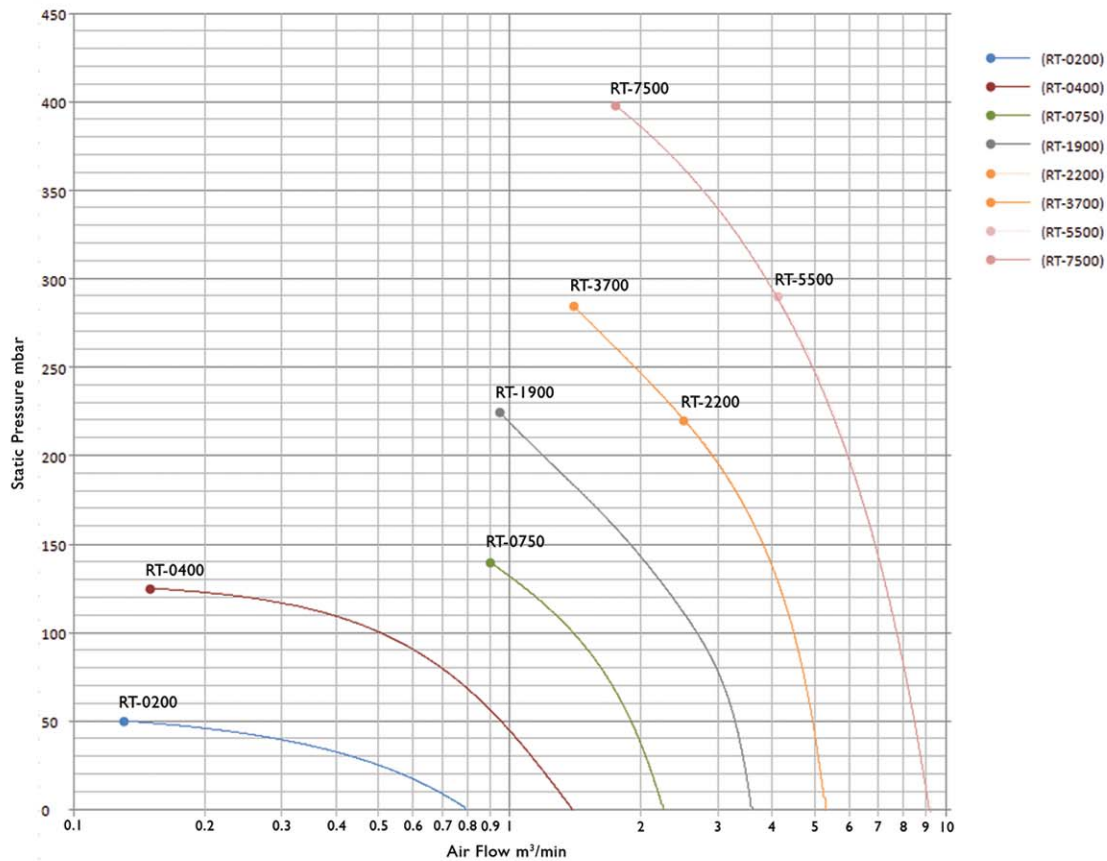


Type	Power	Frequency	Voltage	Current	Speed	Pressure	Air Flow	Noise Level	Weight
RT-****	KW	HZ	V	A	R.P.M.	MMAQ	m3/Min	dB	Kgs
RT-0200	0.2	50	200/346	1.6/0.87	2800	620	0.8	52	6.5
RT-0200	0.2	60	220/380	1.6/0.87	3340	700	1.0	56	6.5
RT-0400	0.4	50	200/346	2.1/1.15	2800	1200	1.2	58	12
RT-0400	0.5	60	220/380	2.3/1.3	3350	1300	1.4	62	12
RT-0750	0.75	50	200/346	3.4/2.3	2800	1400	2.3	64	16
RT-0750	0.85	60	220/380	3.6/2.1	3350	1600	2.7	65	16
RT-1900	1.75	50	200/346	5.8/3.4	2850	1800	3.6	70	26
RT-1900	1.9	60	220/380	7.2/4.2	3450	2000	4.2	73	26
RT-2200	2.2	50	200/346	9.6/5.5	2860	1800	5.6	72	37
RT-2200	2.6	60	220/380	10/5.9	3440	2200	6.1	78	37
RT-3700	3.7	50	200/346	13/7.5	2860	2300	5.7	73	38
RT-3700	4.0	60	220/380	14/8.2	3445	2800	6.5	76	38
RT-5500	5.5	50	200/346	20/11.5	2860	1800	8.6	73	78
RT-5500	6.0	60	220/380	21/12	3450	2200	10	83	78
RT-7500	7.5	50	200/346	26/15	2870	2700	9.3	72	84
RT-7500	8.0	60	220/380	29/16.5	3450	3100	10.4	84	84

## RT range specifications

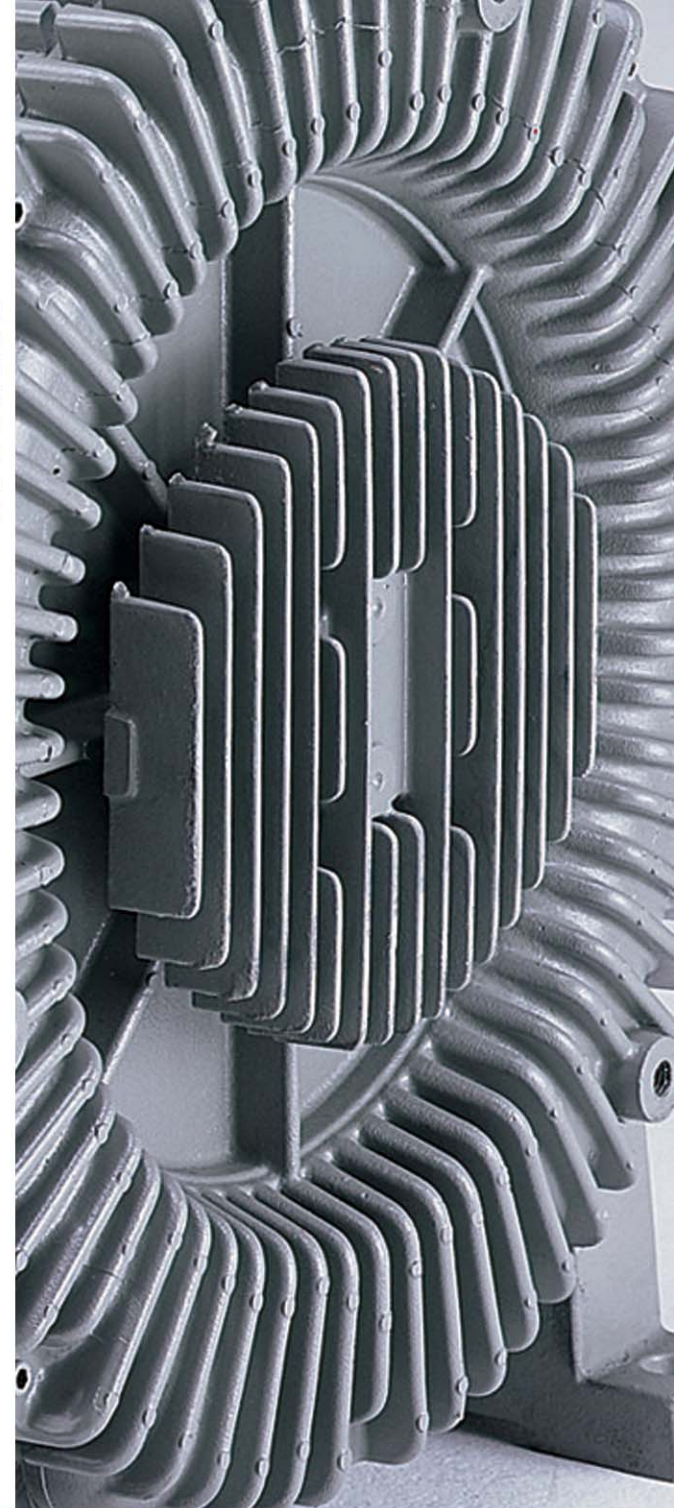


# airtec side channel



## RT blowing performance

Tel. +44 (0)1457 832 724 Fax. +44 (0)1457 832 924 Mobile. 07740 422548  
Address. Valley House. Lees Rd. Mossley. Lancashire. UK. OL5-0PG

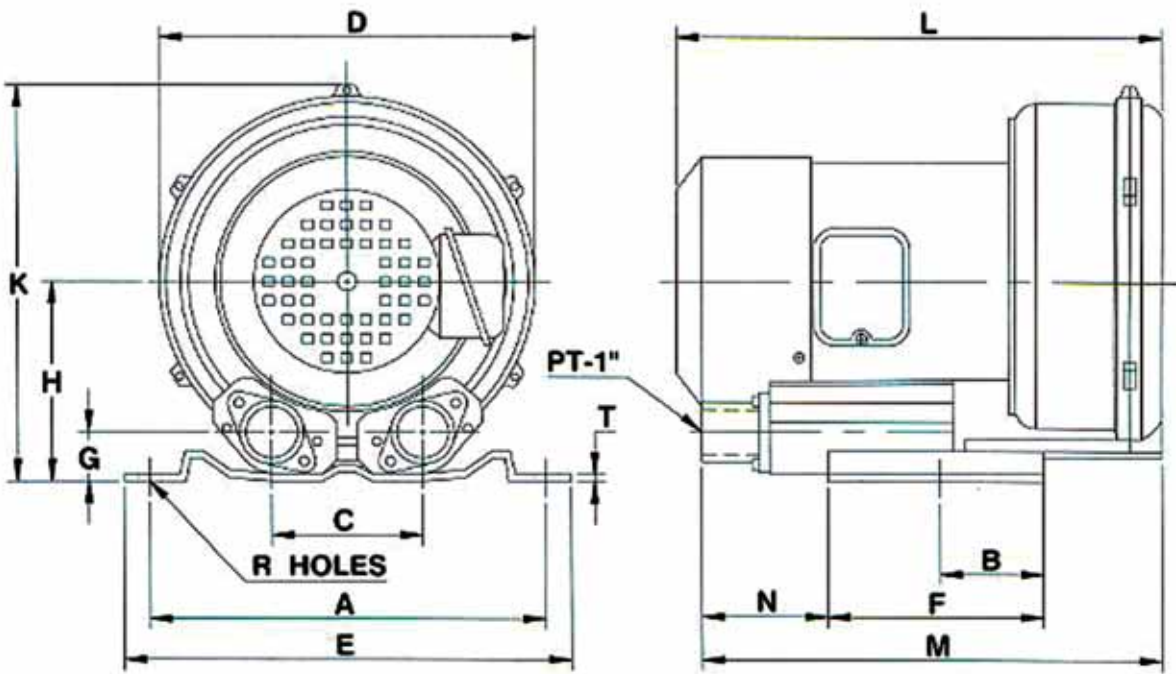


E-Mail. [info@airtecairsystems.ltd.uk](mailto:info@airtecairsystems.ltd.uk)  
[www.airtecairsystems.ltd.uk](http://www.airtecairsystems.ltd.uk)

# Dimensions <0.2 KW>

mm

A	B	C	D	E	F	G	H	K	L	M	N	R	T
165	50	71	200	186	100	38	108	215	210	202	70	12	2.5

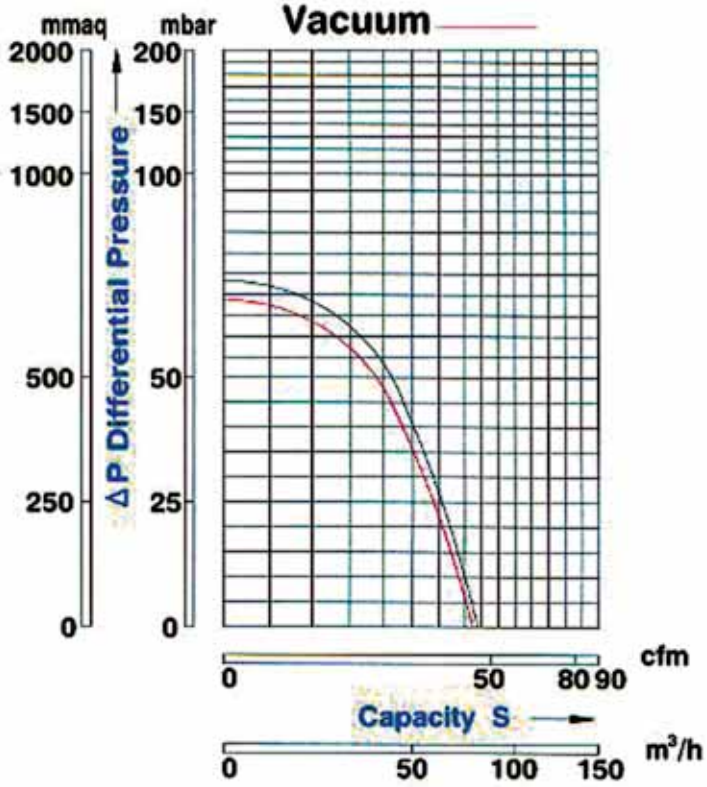
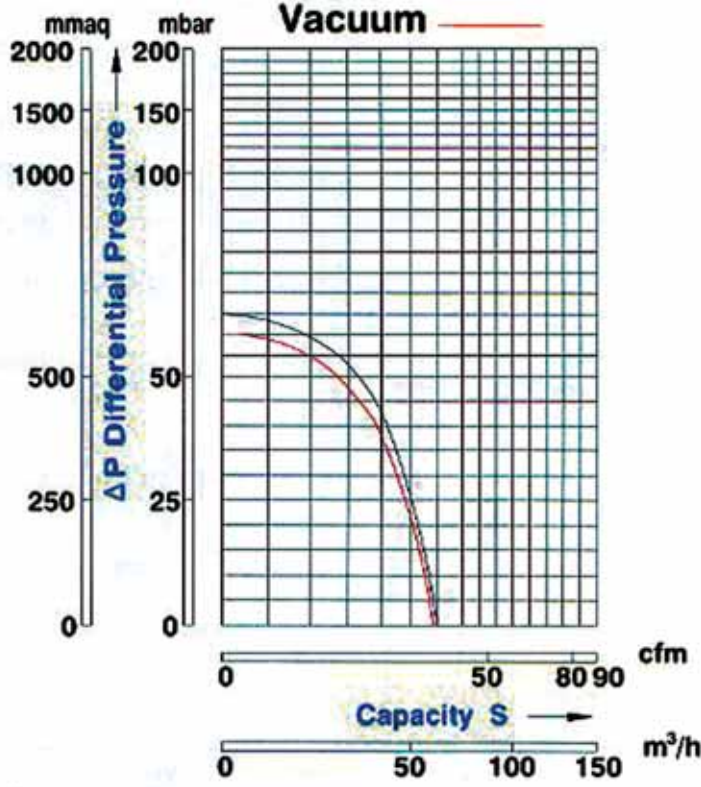


50Hz

60Hz

Pressure —  
Vacuum —

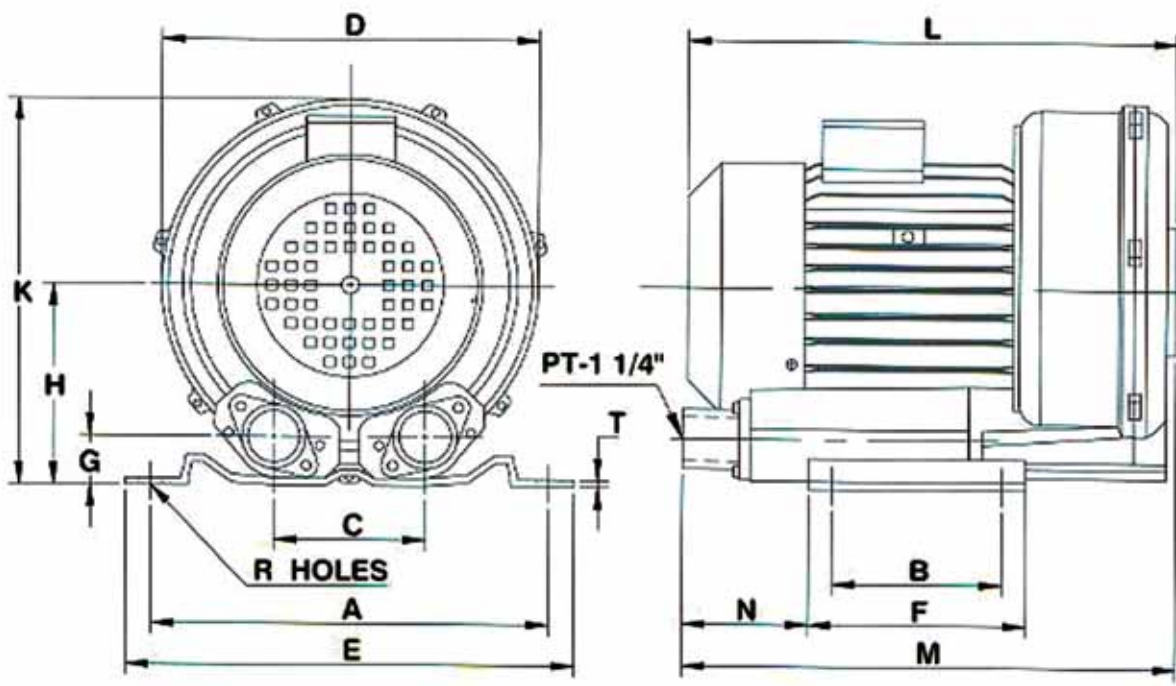
Pressure —  
Vacuum —



# Dimensions <0.4 KW>

mm

A	B	C	D	E	F	G	H	K	L	M	N	R	T
205	83	91	247	227	108	42	130	245	247	256	88	10	2.5

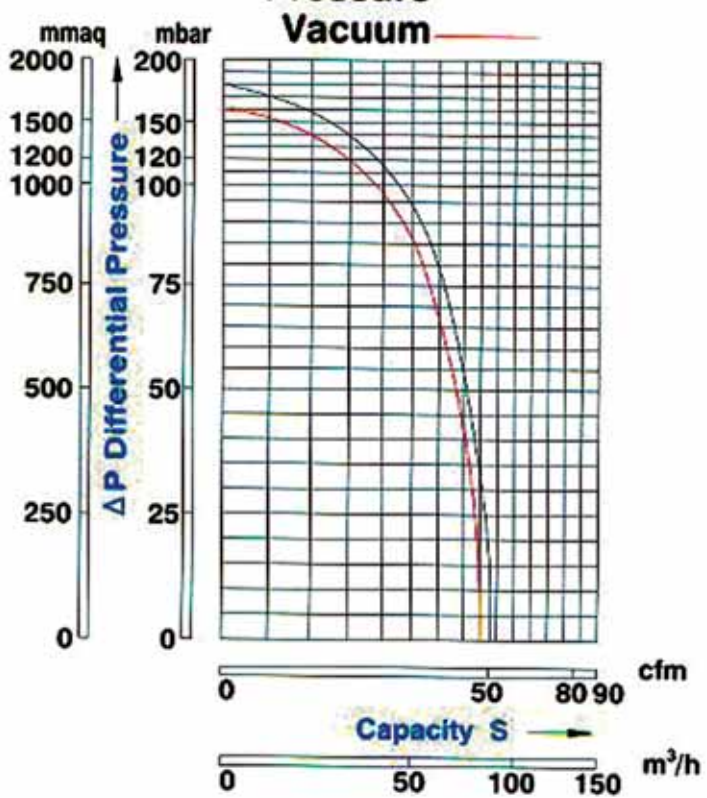
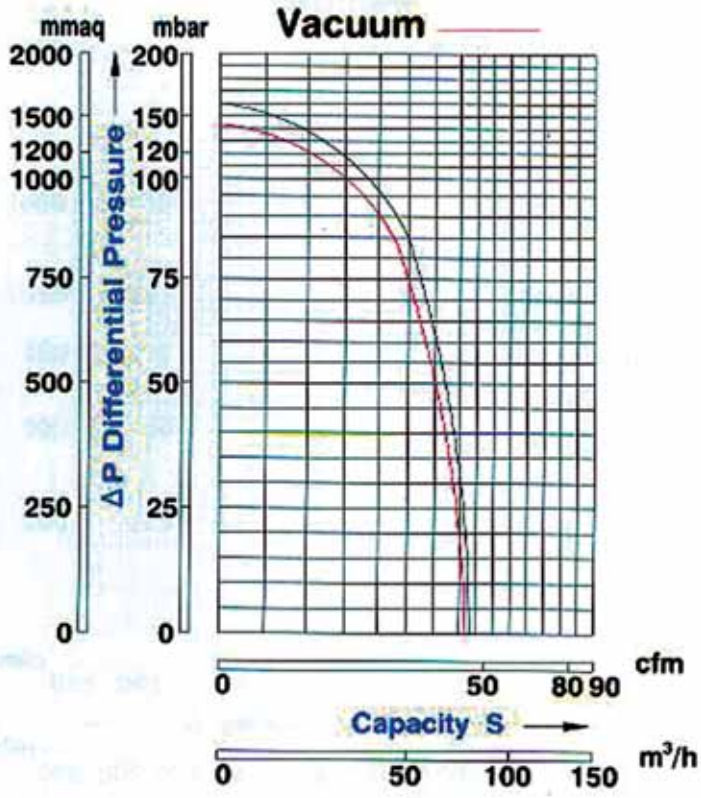


50Hz

60Hz

Pressure ———  
Vacuum ———

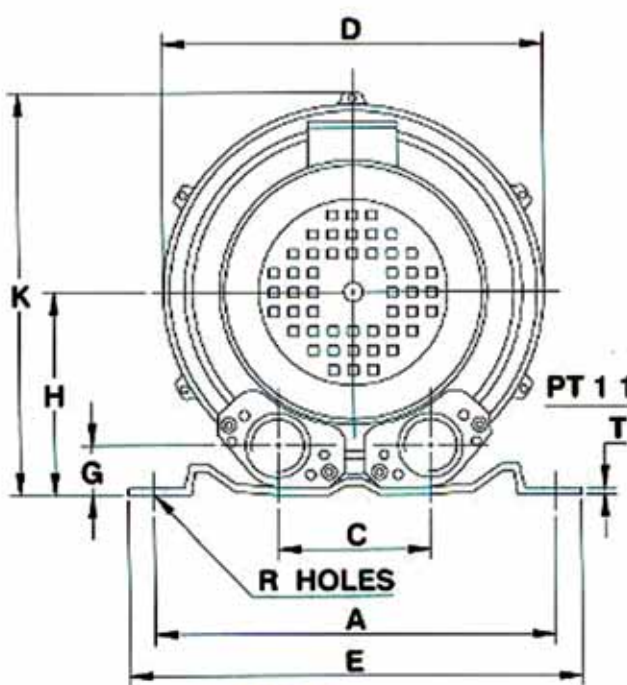
Pressure ———  
Vacuum ———



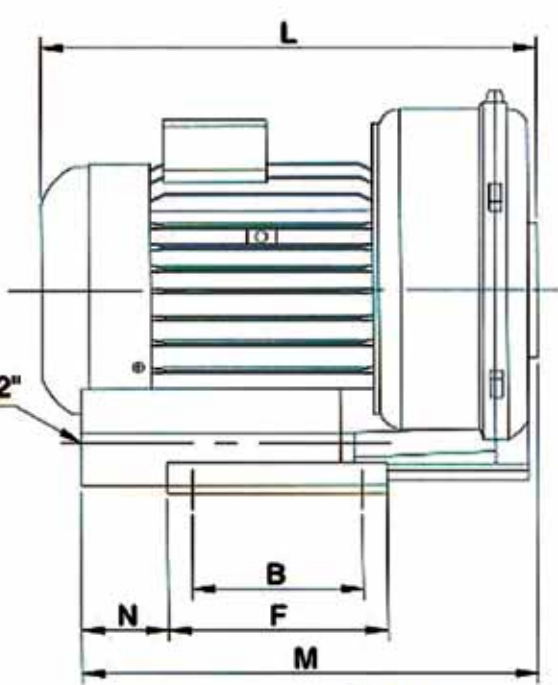
# Dimensions <0.75 KW>

mm

A	B	C	D	E	F	G	H	K	L	M	N	R	T
225	90	115	285	257	130	45	153	300	262	240	50	12	3

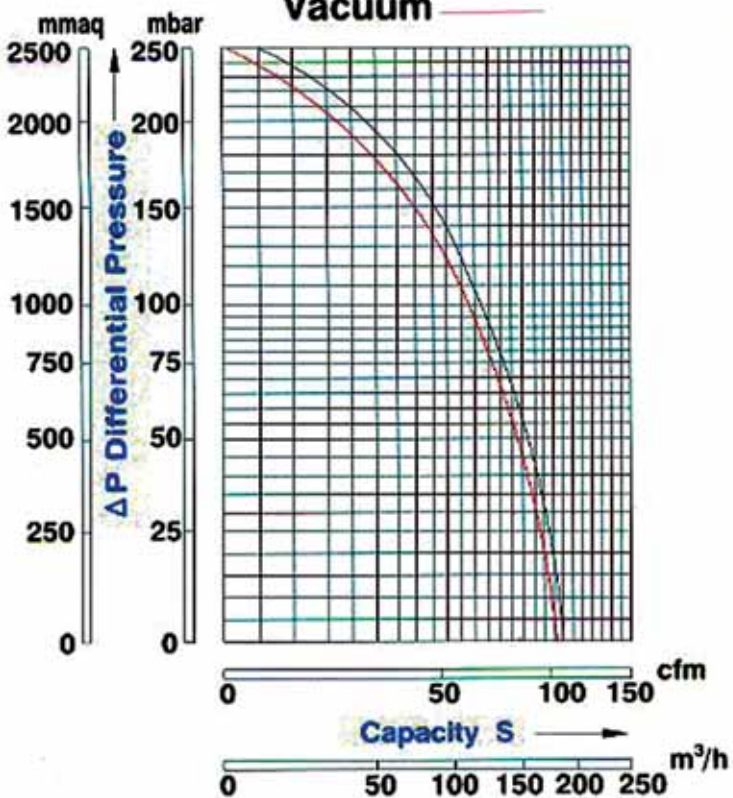


50Hz

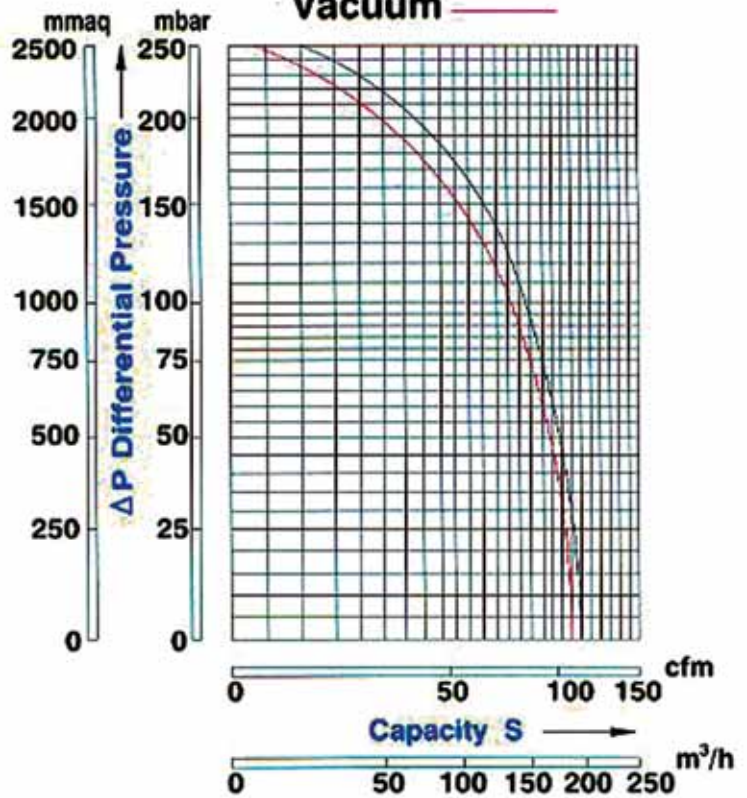


60Hz

Pressure ———  
Vacuum ———



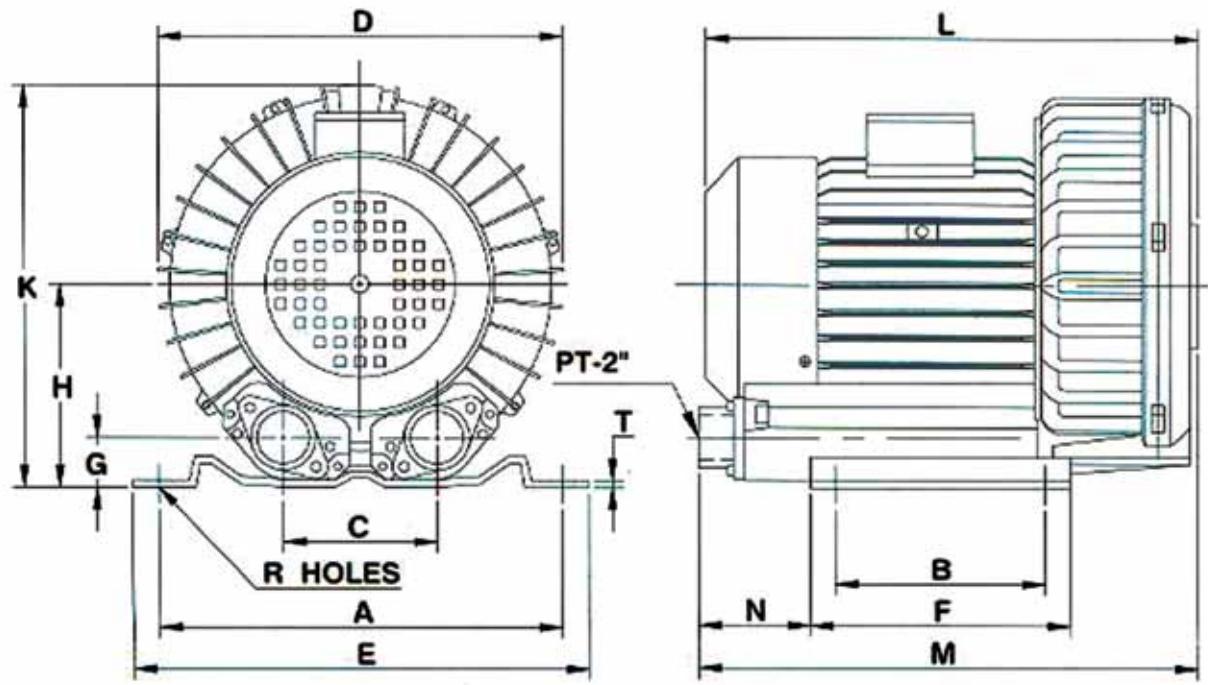
Pressure ———  
Vacuum ———



# Dimensions <1.9 KW>

mm

A	B	C	D	E	F	G	H	K	L	M	N	R	T
260	115	120	334	298	155	45	175	335	313	318	102	14	4

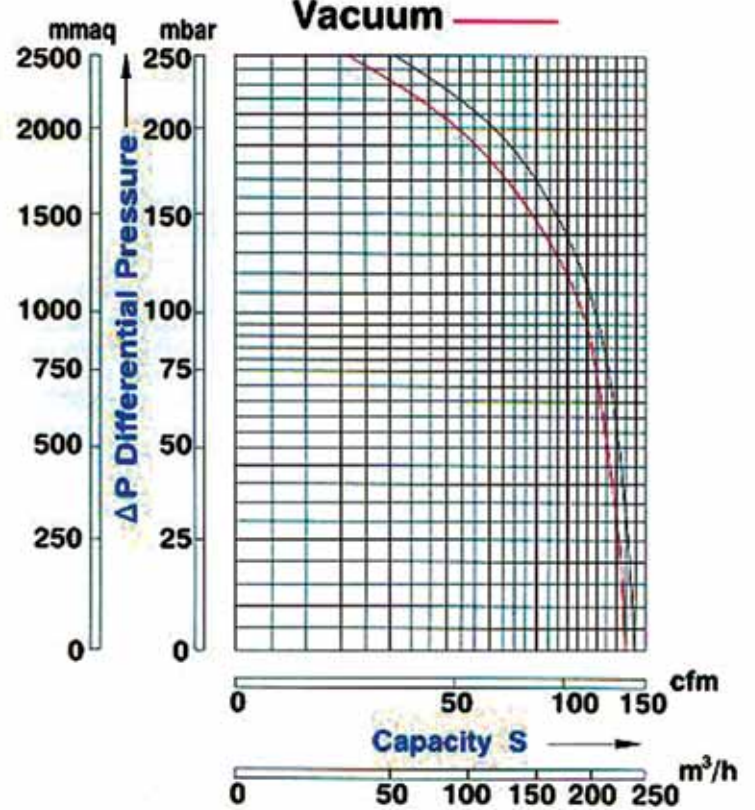
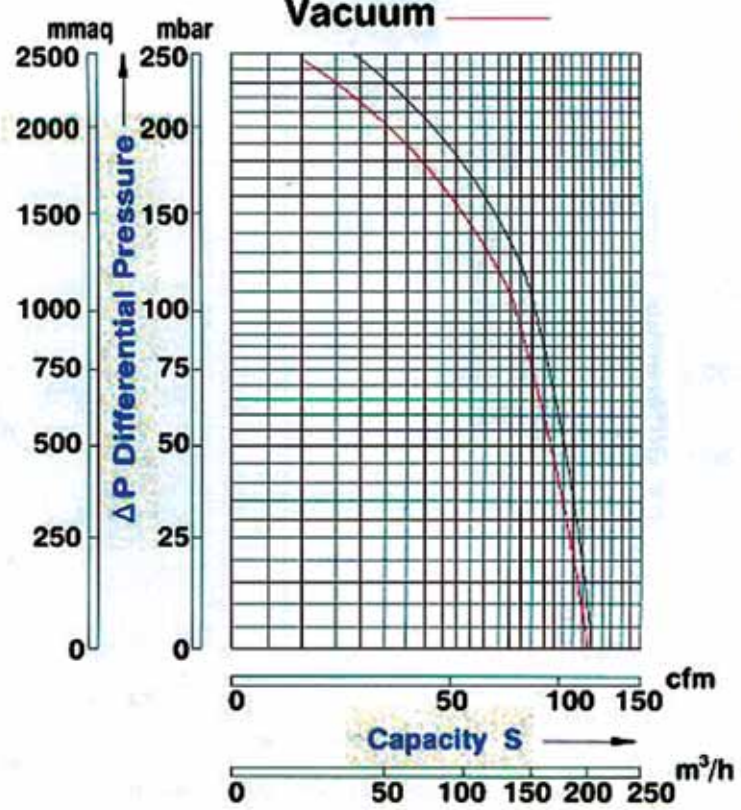


50Hz

60Hz

Pressure —  
Vacuum —

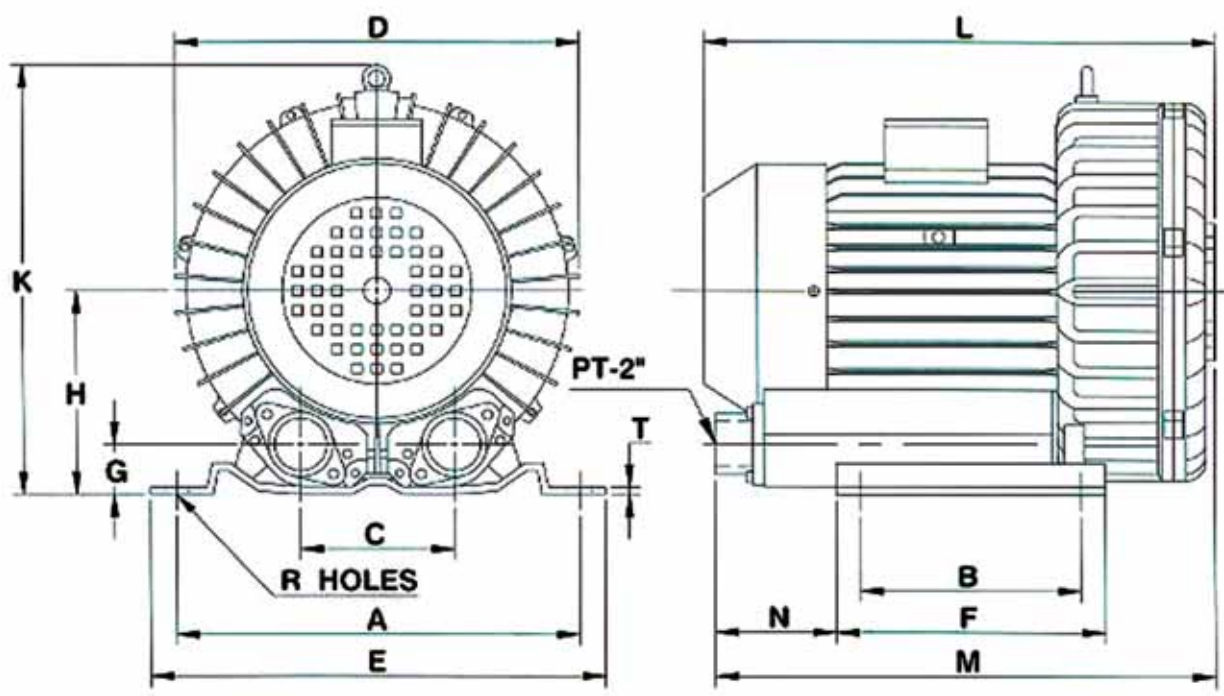
Pressure —  
Vacuum —



# Dimensions <2.2 KW>

mm

A	B	C	D	E	F	G	H	K	L	M	N	R	T
290	140	125	384	332	180	50	194	412	370	361	92	15	5

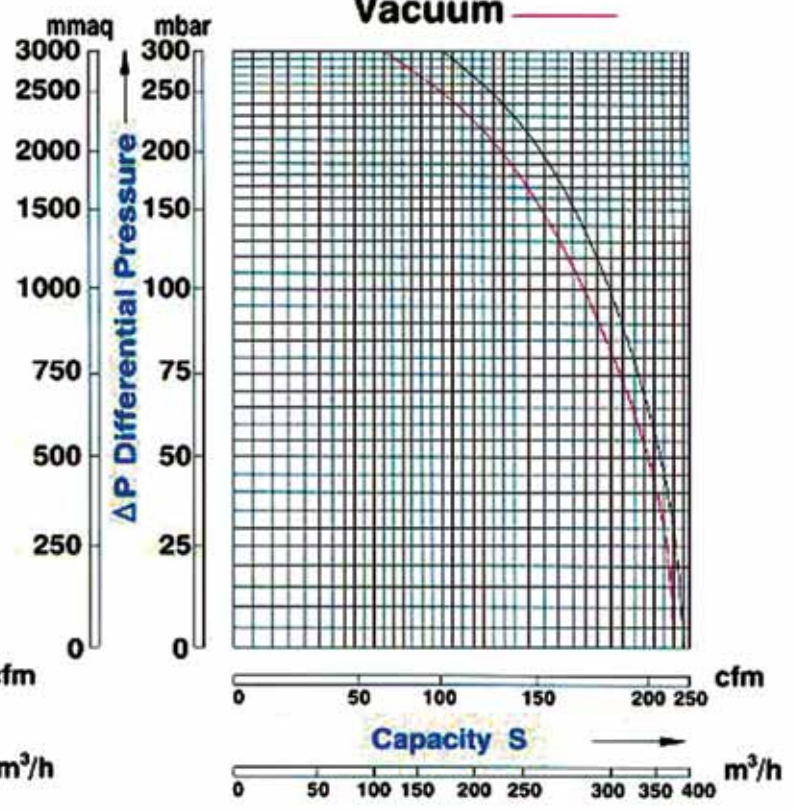
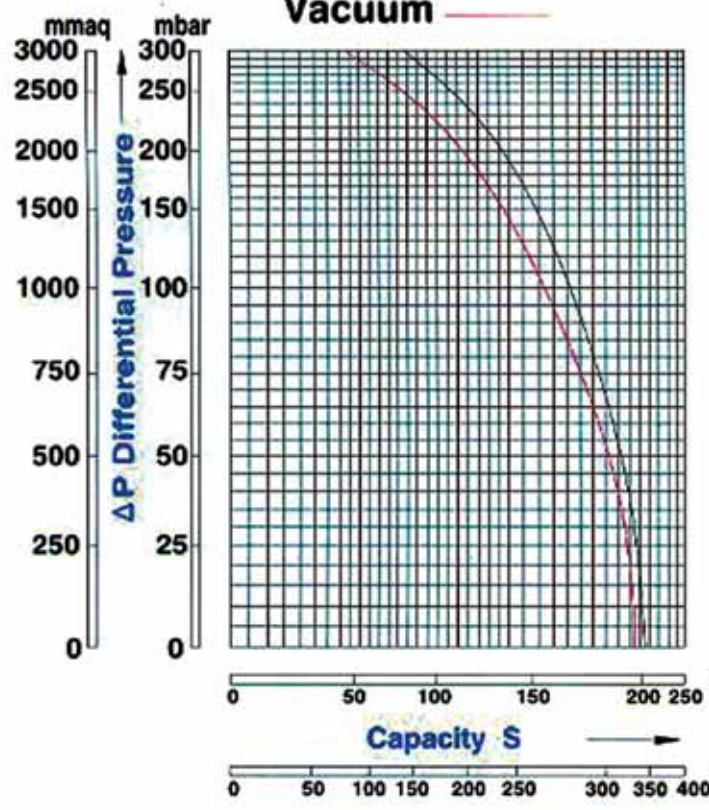


50Hz

60Hz

Pressure ———  
Vacuum ———

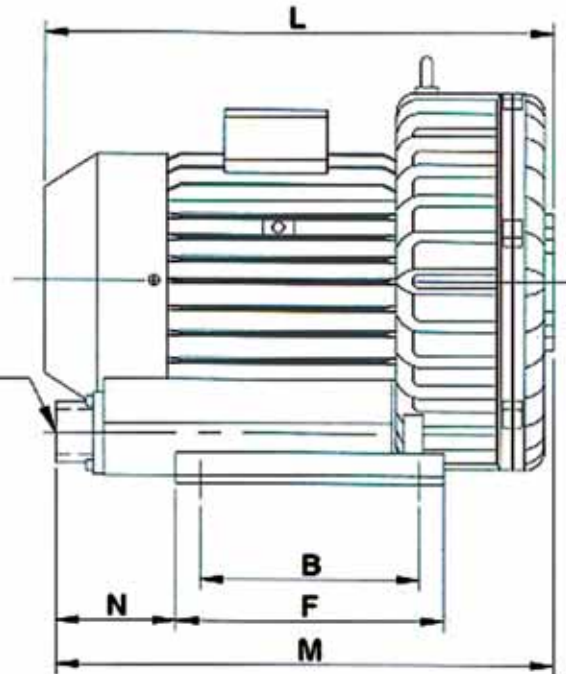
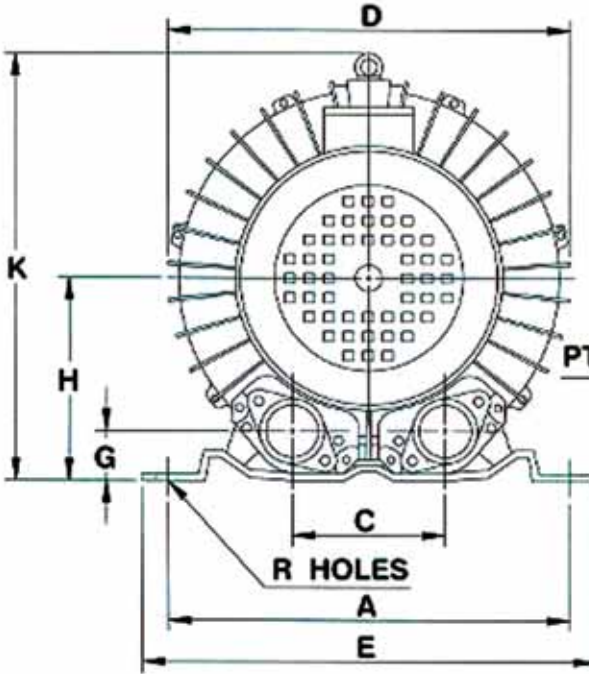
Pressure ———  
Vacuum ———



# Dimensions <3.7 KW>

mm

A	B	C	D	E	F	G	H	K	L	M	N	R	T
290	140	125	384	332	180	50	194	412	370	361	92	15	5

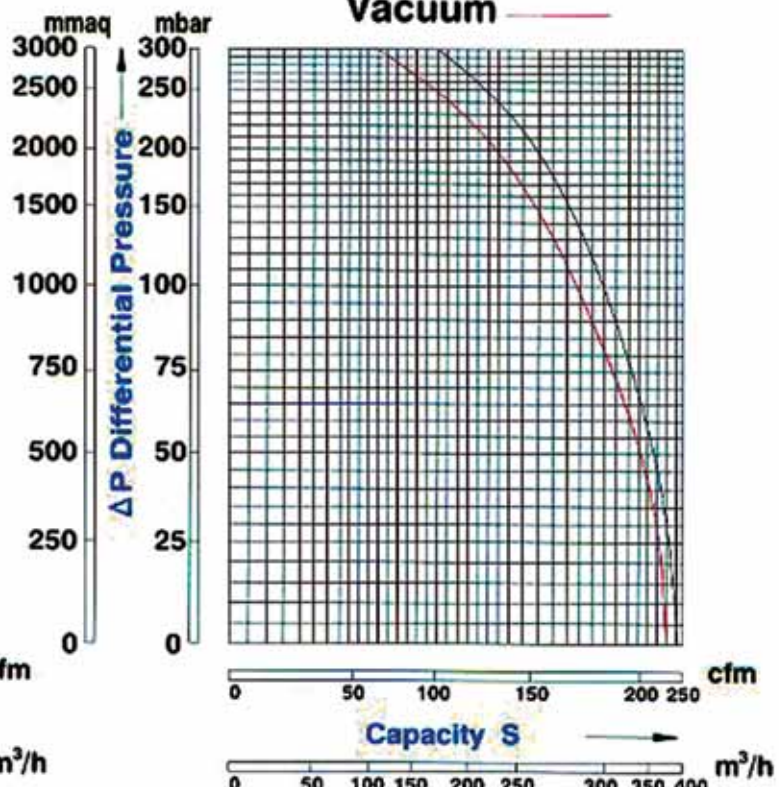
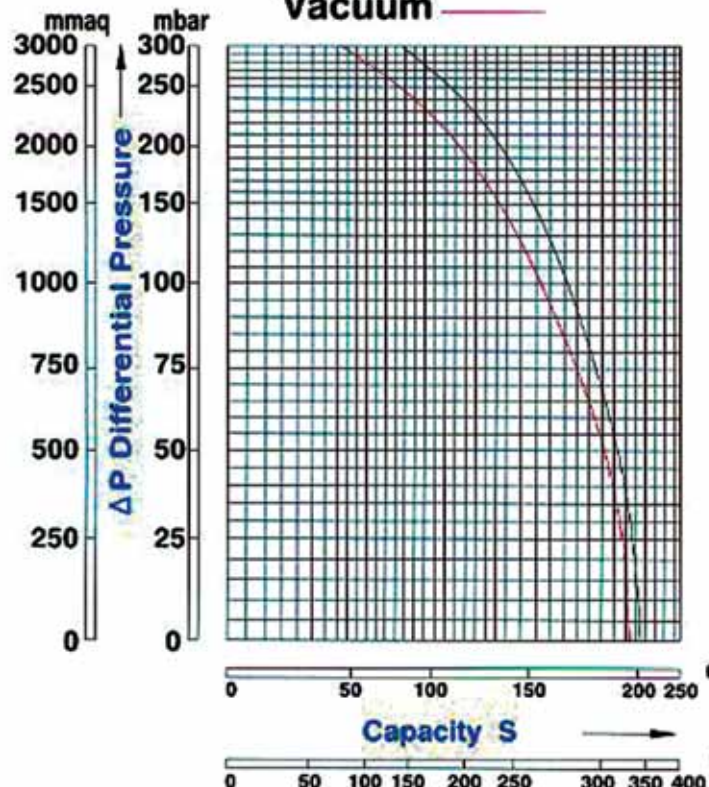


50Hz

60Hz

Pressure ———  
Vacuum ———

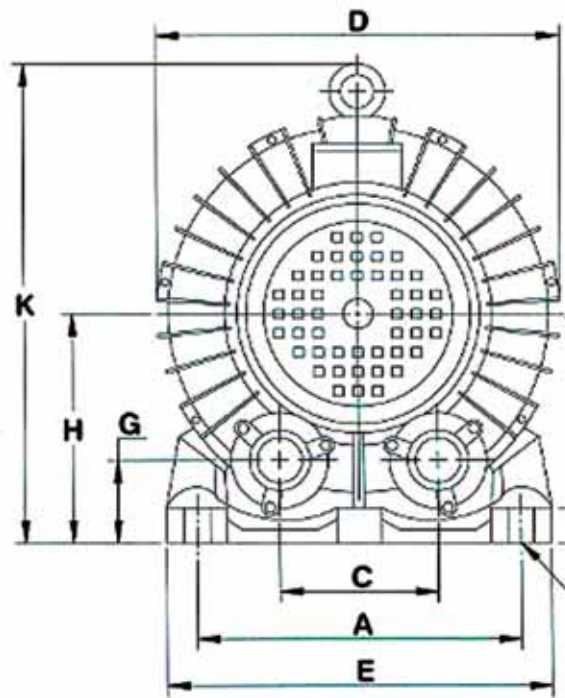
Pressure ———  
Vacuum ———



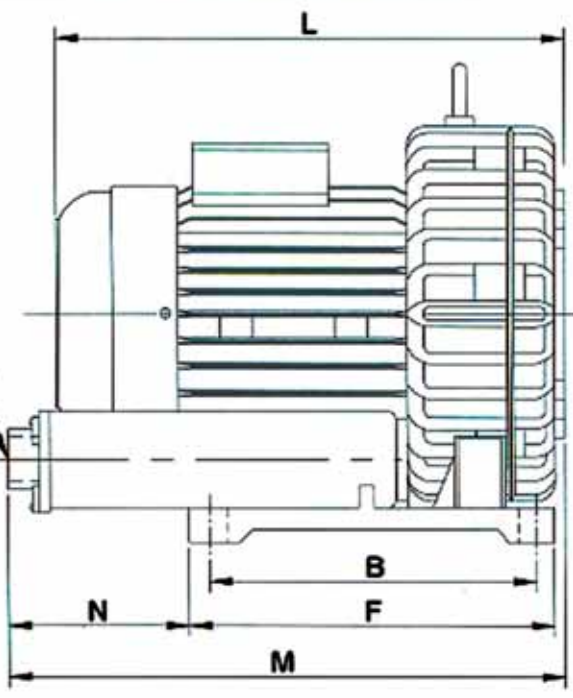
# Dimensions <5.5 KW>

mm

A	B	C	D	E	F	G	H	K	L	M	N	R	T
365	280	145	465	420	317	96	270	560	450	485	167	15	27



PT-2 1/2"  
R HOLES

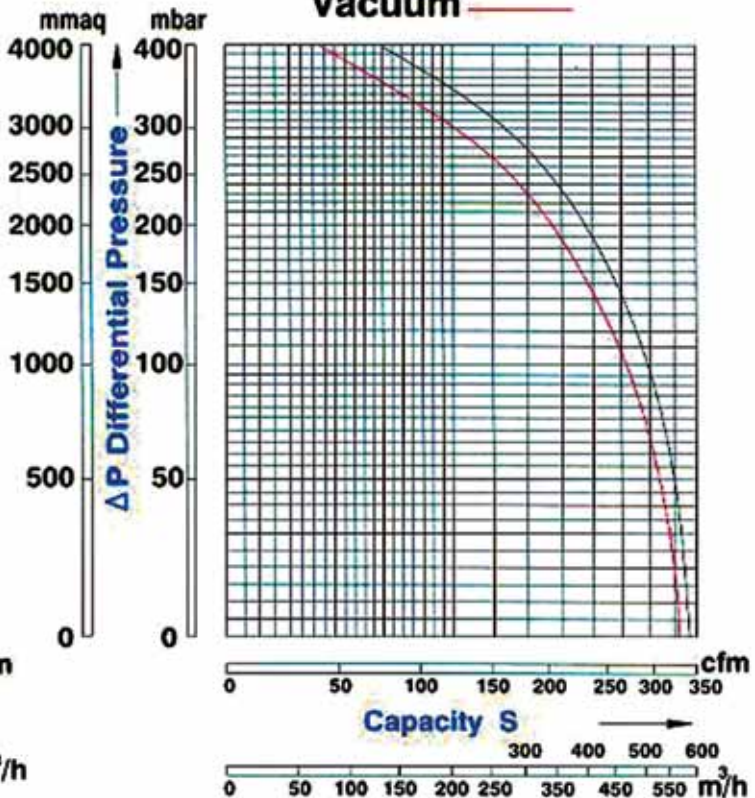
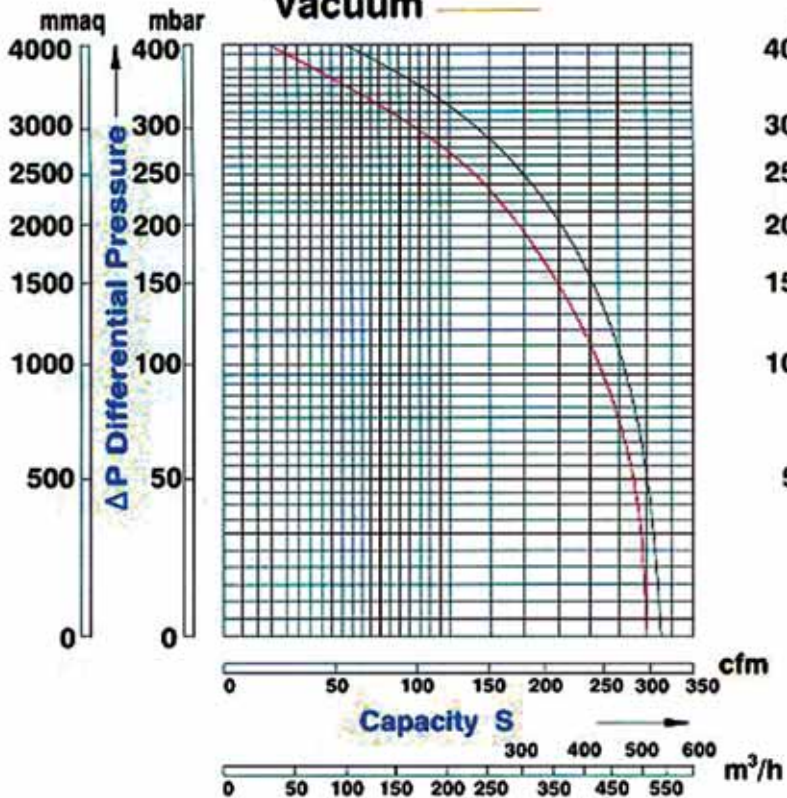


50Hz

60Hz

Pressure ———  
Vacuum ———

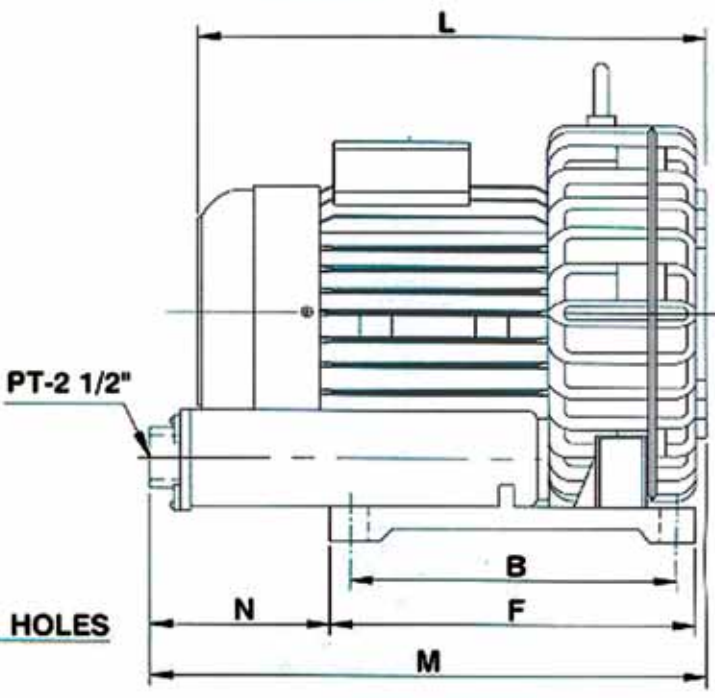
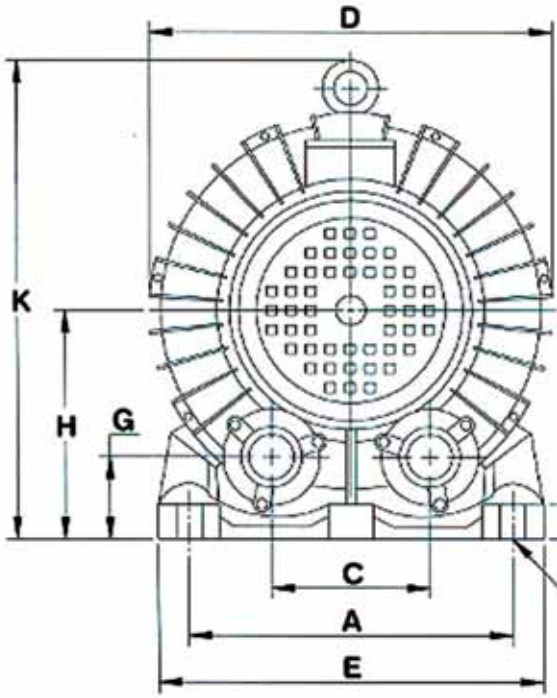
Pressure ———  
Vacuum ———



# Dimensions <7.5 KW>

mm

A	B	C	D	E	F	G	H	K	L	M	N	R	T
365	280	145	465	420	317	96	270	560	450	485	167	15	27



PT-2 1/2"  
R HOLES

50Hz

60Hz

Pressure ———  
Vacuum ———

Pressure ———  
Vacuum ———

